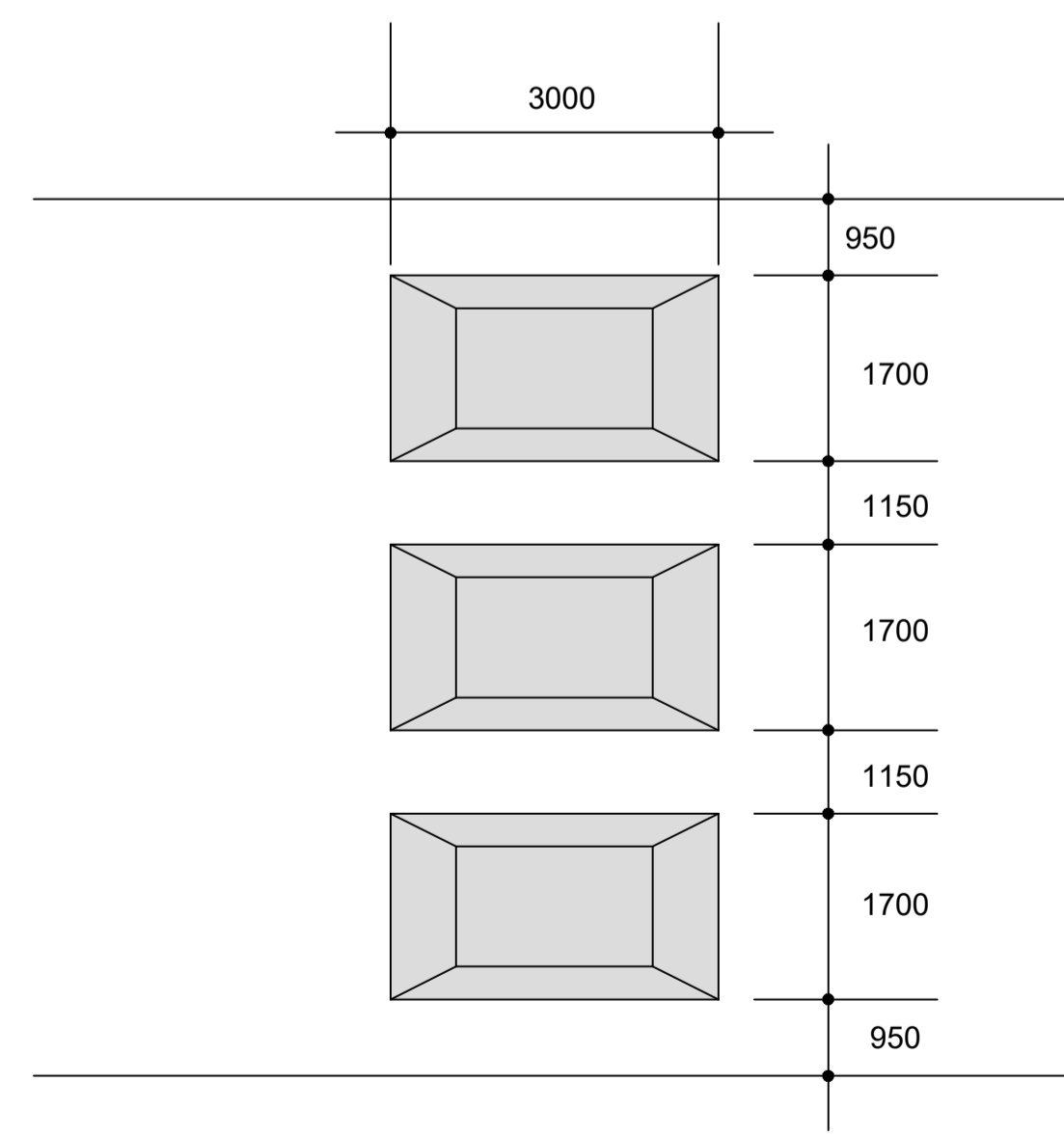
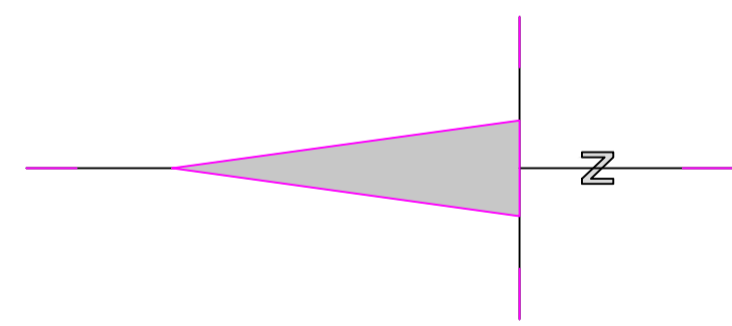


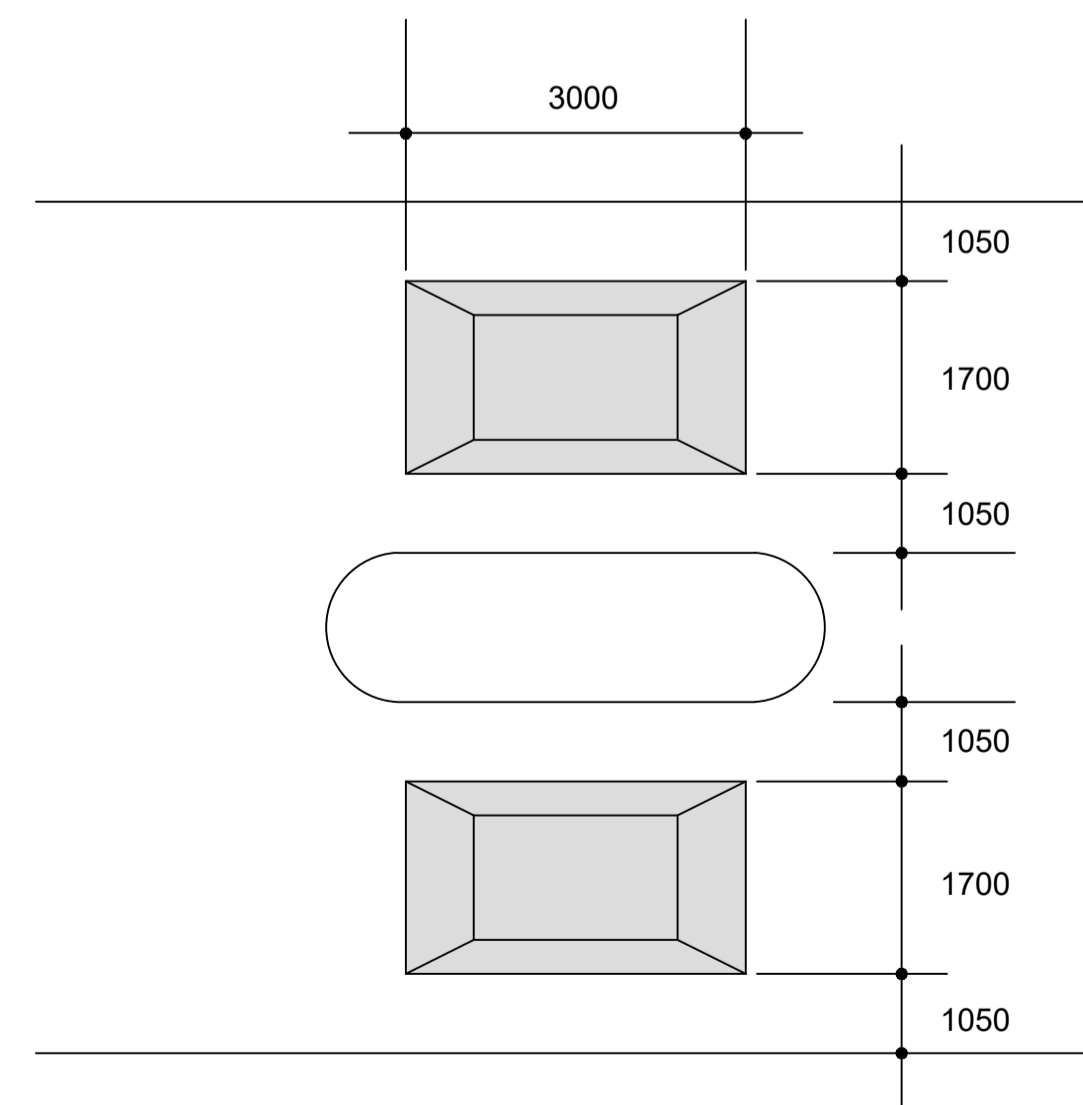
SPEED CUSHION LOCATION 3

SPEED CUSHION LOCATION 2

SPEED CUSHION LOCATION 1



SPEED CUSHION DETAIL
n.t.s



SPEED CUSHION DETAIL
n.t.s

LEGEND	
	denotes existing parking bays
	denotes new buff coloured anti-skid surfacing at approaches to crossings
	denotes existing drop kerb
	denotes existing tree pit
	denotes existing bollard
	denotes existing guardrail
	denotes existing tree
	denotes existing lamp column
	denotes existing signlight

Rev.	Amendment	Date
A	Hump signage added	12.03.2026

London Borough of Barking & Dagenham

Divisional Director of Strategic Asset Management & Capital Delivery
 The London Borough of Barking and Dagenham
 Town Hall, Barking
 Essex, IG11 7LU
 Telephone: 020 8592 4500

Scheme		ROAD SAFETY PROGRAMME 2025-2026	
Title		LODGE AVENUE (BETWEEN FITZSTEPHEN RD TO PORTERS AV.) TRAFFIC CALMING MEASURES PLAN 1 OF 3	
Drawn	GJC	Checked	
Scale	1 : 500	Date	March 2026
Drawing No.		LODGE - C05055 - 001A	